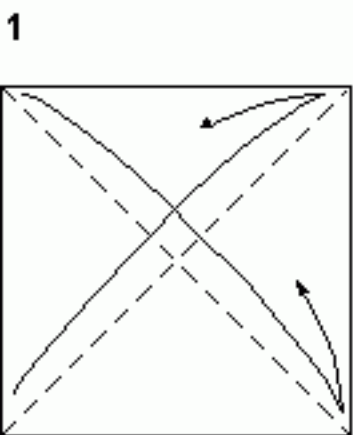
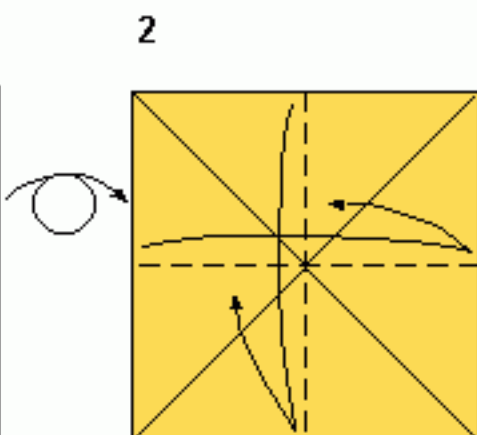


# WATERBOMB

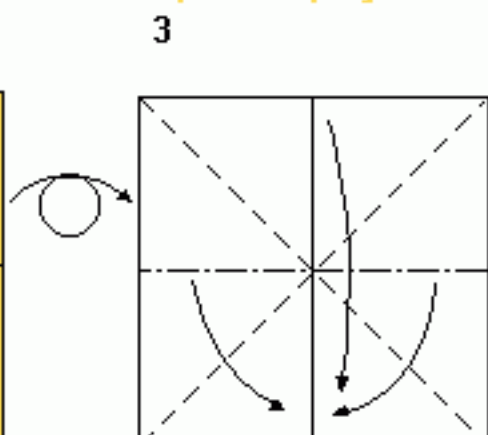
This model is also known as "Japanese playball"



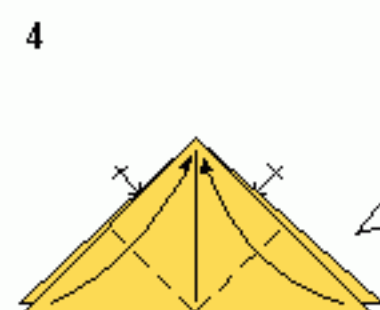
fold both diagonals and return



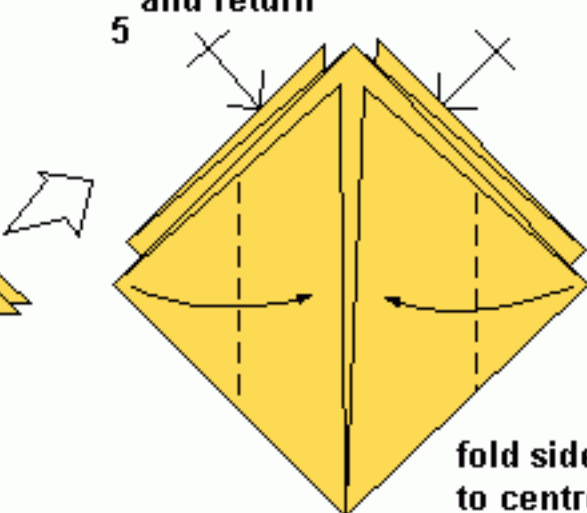
fold horizontal and vertical centrelines and return



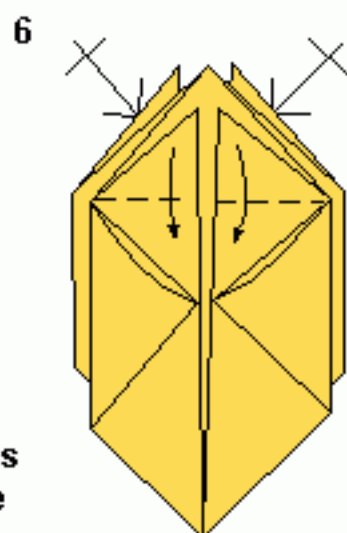
collapse



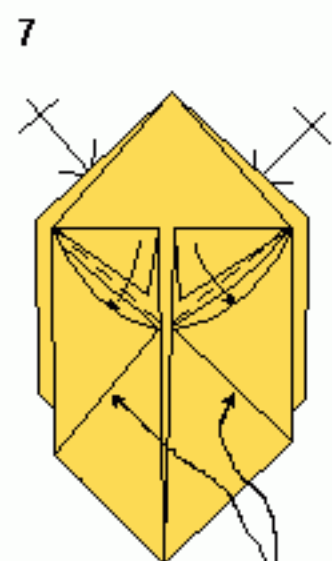
fold tips to top



fold sides to centre

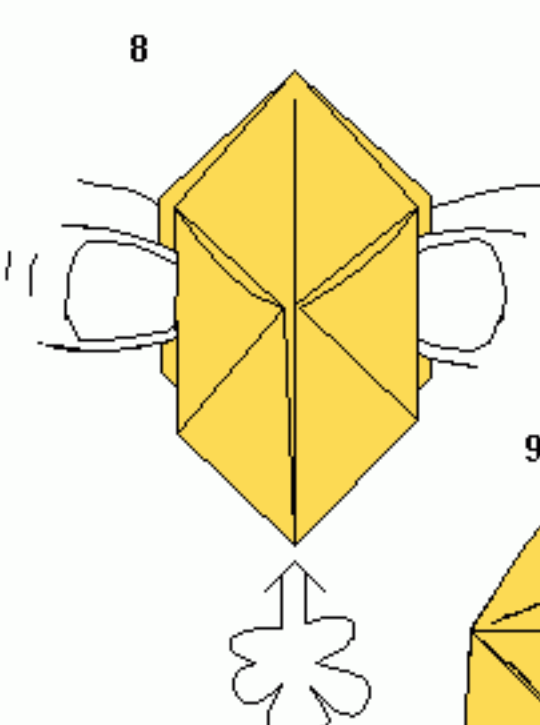


fold tips down

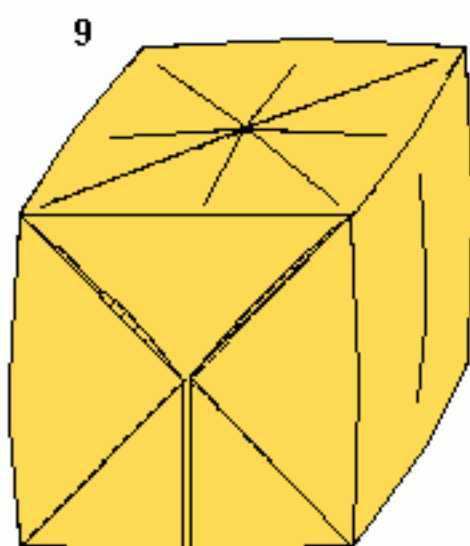


fold and tuck tips inside

Tip: press gently on the edge to open the pockets



separate the layers and blow into hole  
Tip: fold and return top and bottom points to centre at step 8 to ease final shaping



Traditional model diagrams © D.Petty